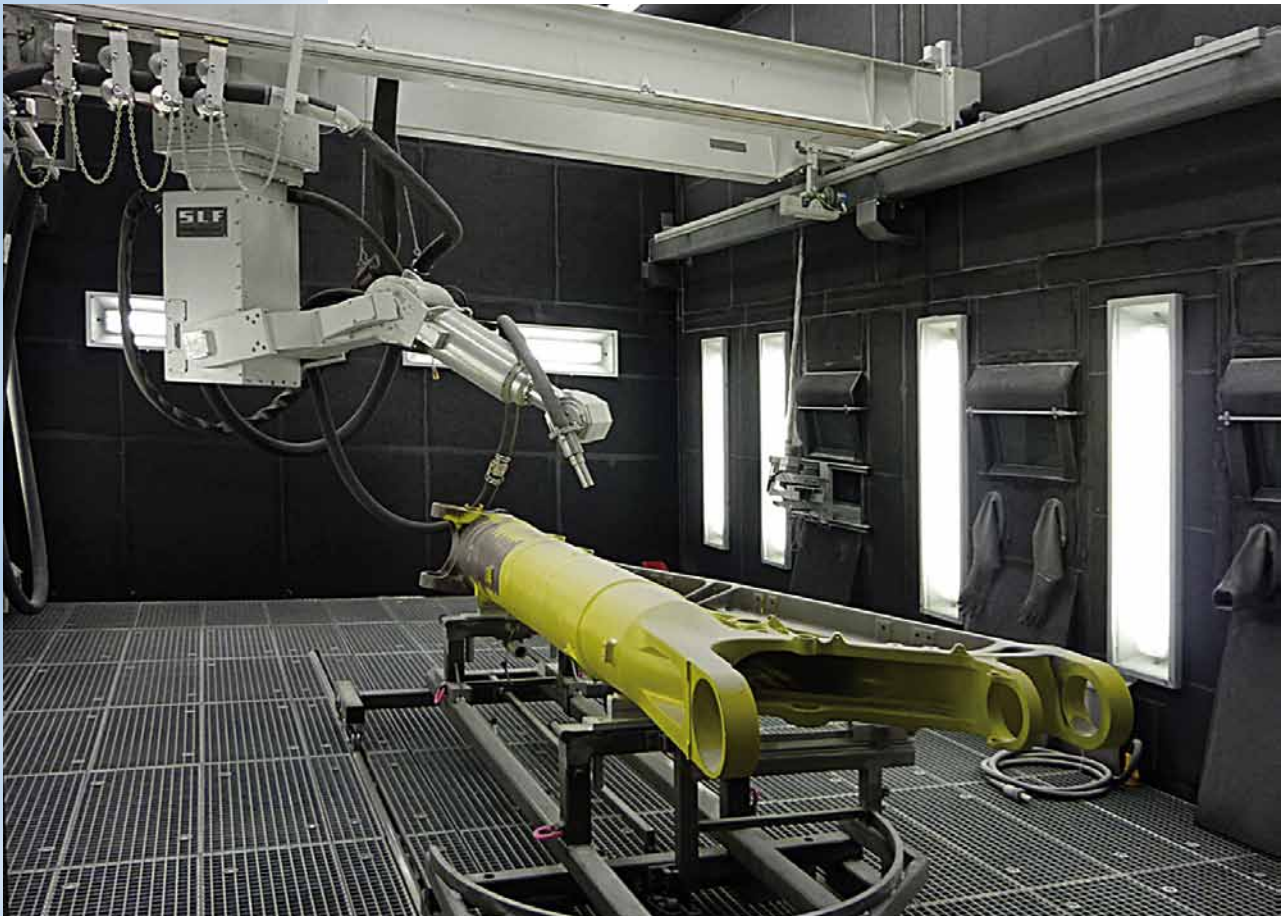


Blasting Robot „ReCo*-Blaster“



Advantages:

- Up to 5 times higher surface capacity compared to manual blasting
- Continuous blasting process
- Reproducible blasting result
- Ergonomic workstation

Technical Data:

- Blasting with 19 mm nozzle
- Blasting pressure up to 8 bar
- 8 axes (axes traversing distances see reverse side)

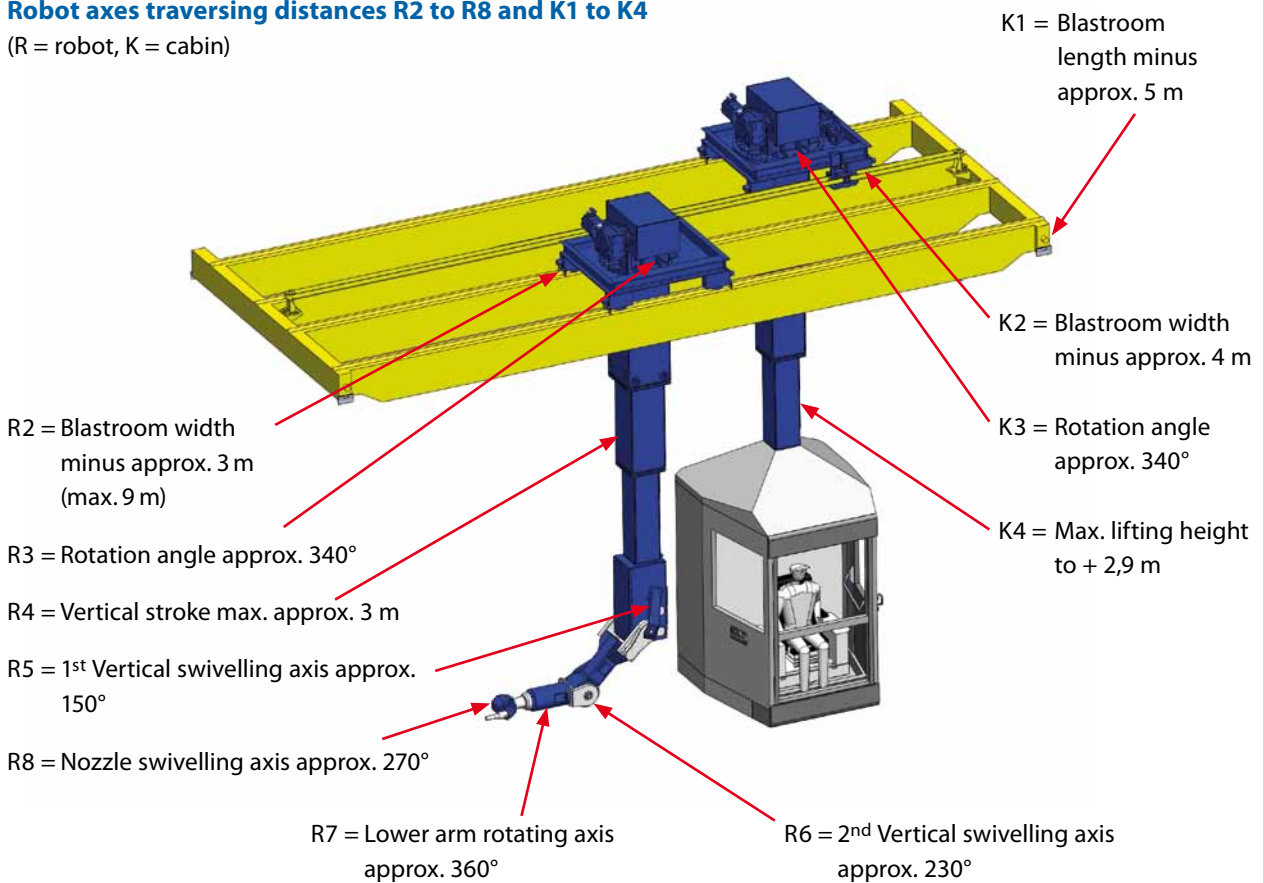
Equipment:

- Electromotive drive
- Operator's cabin as option
- Operating and programming by means of joysticks
- Fully-fledged robot control

Blasting Robot „ReCo*-Blaster“

Robot axes traversing distances R2 to R8 and K1 to K4

(R = robot, K = cabin)



SLF Oberflächentechnik GmbH

Factory Greven

Grevener Landstr. 22 – 24
D-48268 Greven (OT Reckenfeld)

Phone: +49(0)2575 97193-0

Fax: +49(0)2575 97193-19

info@slf.eu

Factory Mühlau

Waldstr. 8
D-09241 Mühlau b. Chemnitz

Phone: +49(0)3722 6071-0

Fax: +49(0)3722 6071-20

post@slf.eu

www.slf.eu